



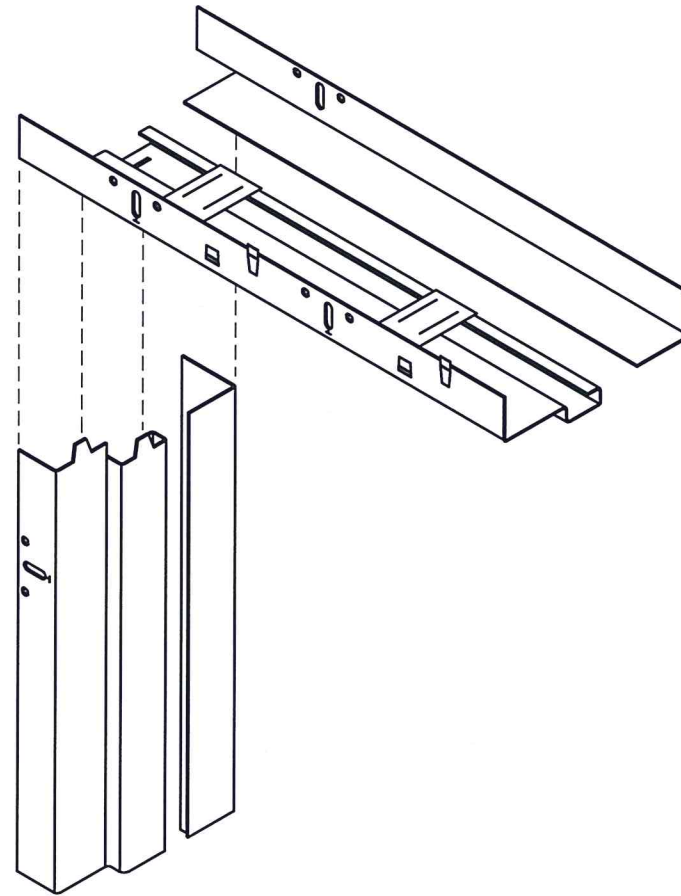
868 MURRAY ROAD, DOTHAN, AL 36303

"REDIFLEX" TWO-PIECE STEEL FRAME SYSTEM UTILIZING A PLASTPRO OPAQUE FIBERGLASS DOOR PANEL "IMPACT"

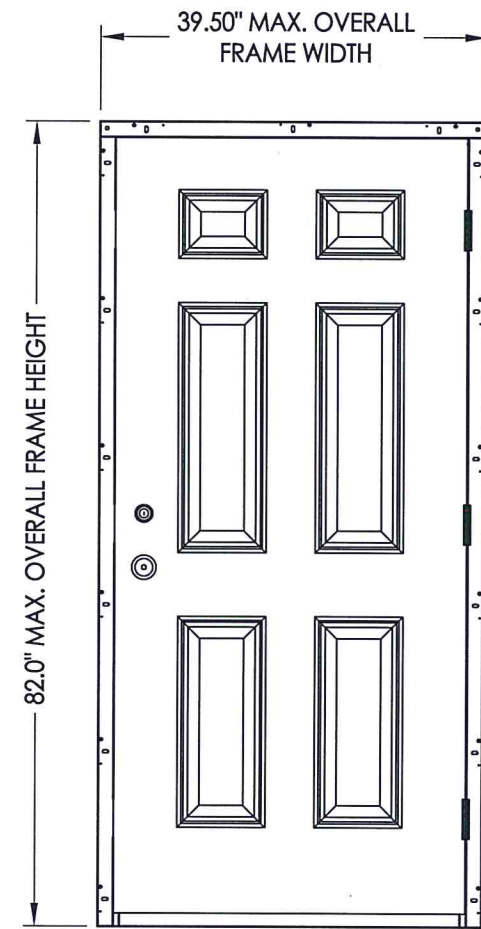
GENERAL NOTES

1. This product has been evaluated and is in compliance with the 7th Edition (2020) Florida Building Code (FBC) structural requirements excluding the "High Velocity Hurricane Zone" (HVHZ).
2. Product anchors shall be as listed and spaced as shown on details. Anchor embedment to base material shall be beyond wall dressing or stucco.
3. When used in areas requiring wind borne debris protection this product complies with FBC Sections 1609.1.2 & R301.2.1.2 and does not require an impact resistant covering. This product meets missile level "D" and includes Wind Zone 4 as defined in ASTM E 1996 and FBC Sections 1609.1.2.2 & R301.2.1.2.1.1.
4. For 2x stud framing construction, anchoring of these units shall be the same as that shown for 2x buck masonry construction.
5. Site conditions that deviate from the details of this drawing require further engineering analysis by a licensed engineer or registered architect.

TABLE OF CONTENTS	
SHEET #	DESCRIPTION
1	Typical elevations, design pressures & general notes
2	Steel frame cross sections & details
3	Door panel details
4	Horizontal cross sections
5	Vertical cross sections
6	Buck and frame anchoring
7	Bill of materials and components

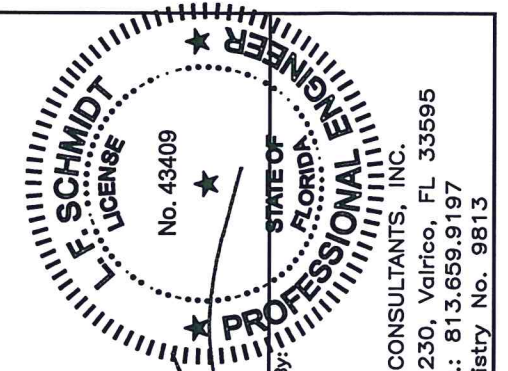


REDIFLEX TWO-PIECE



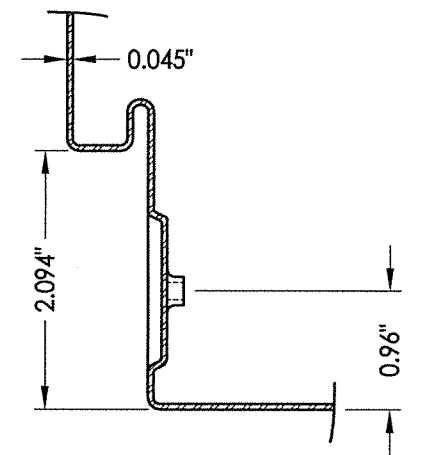
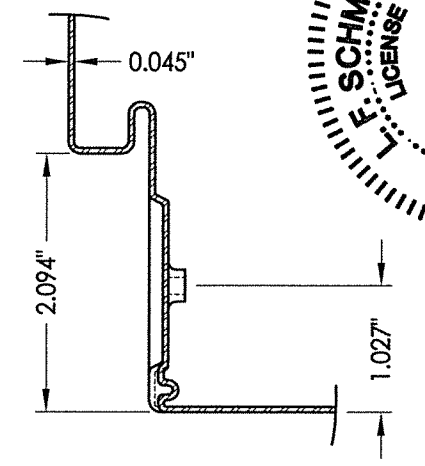
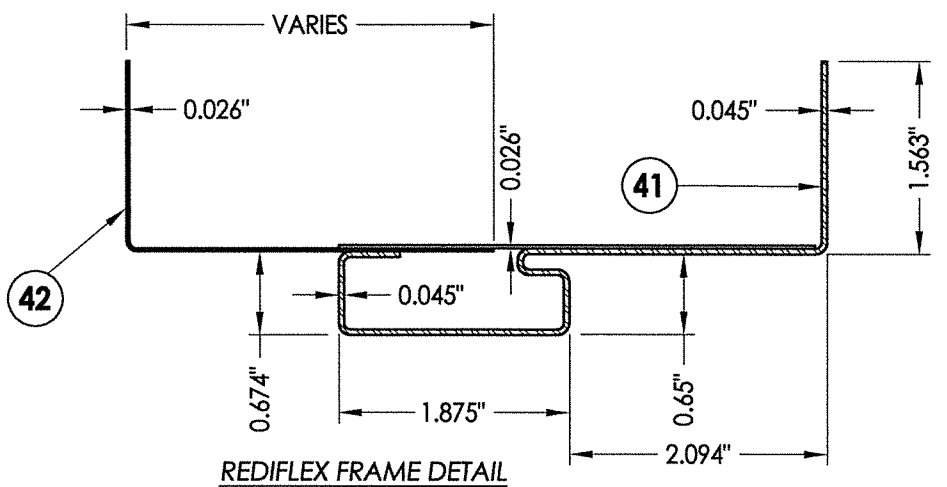
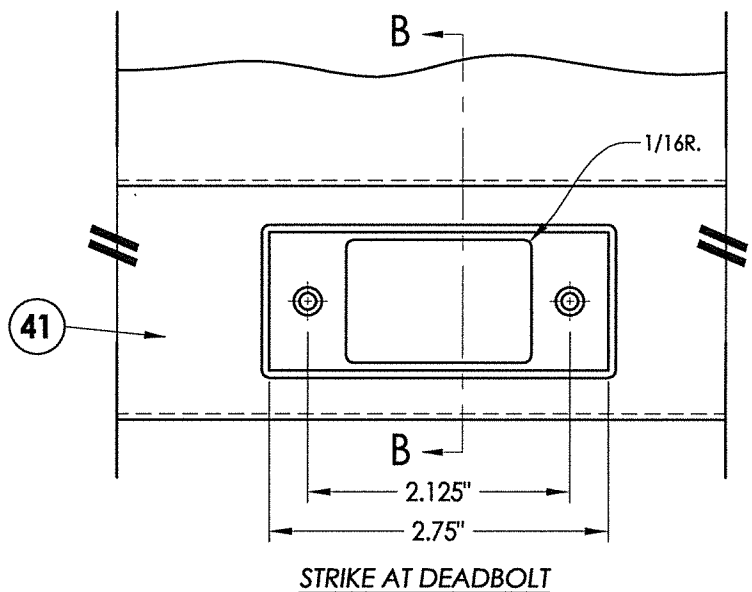
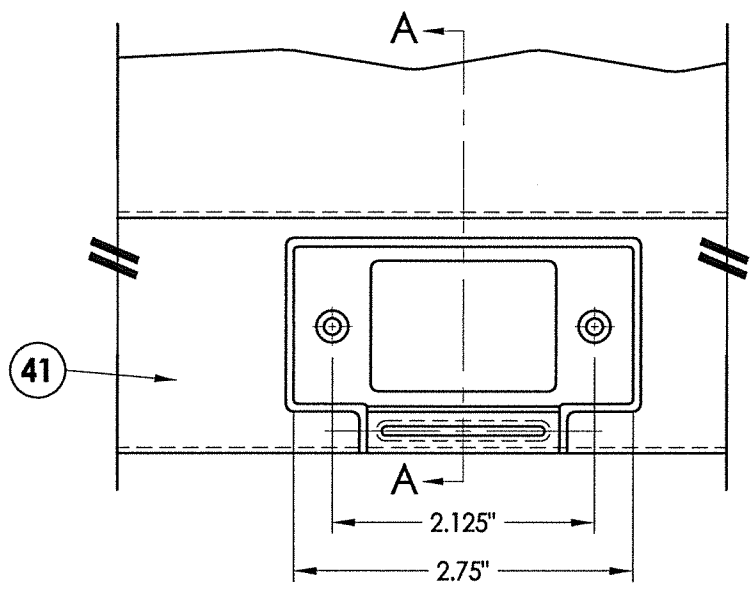
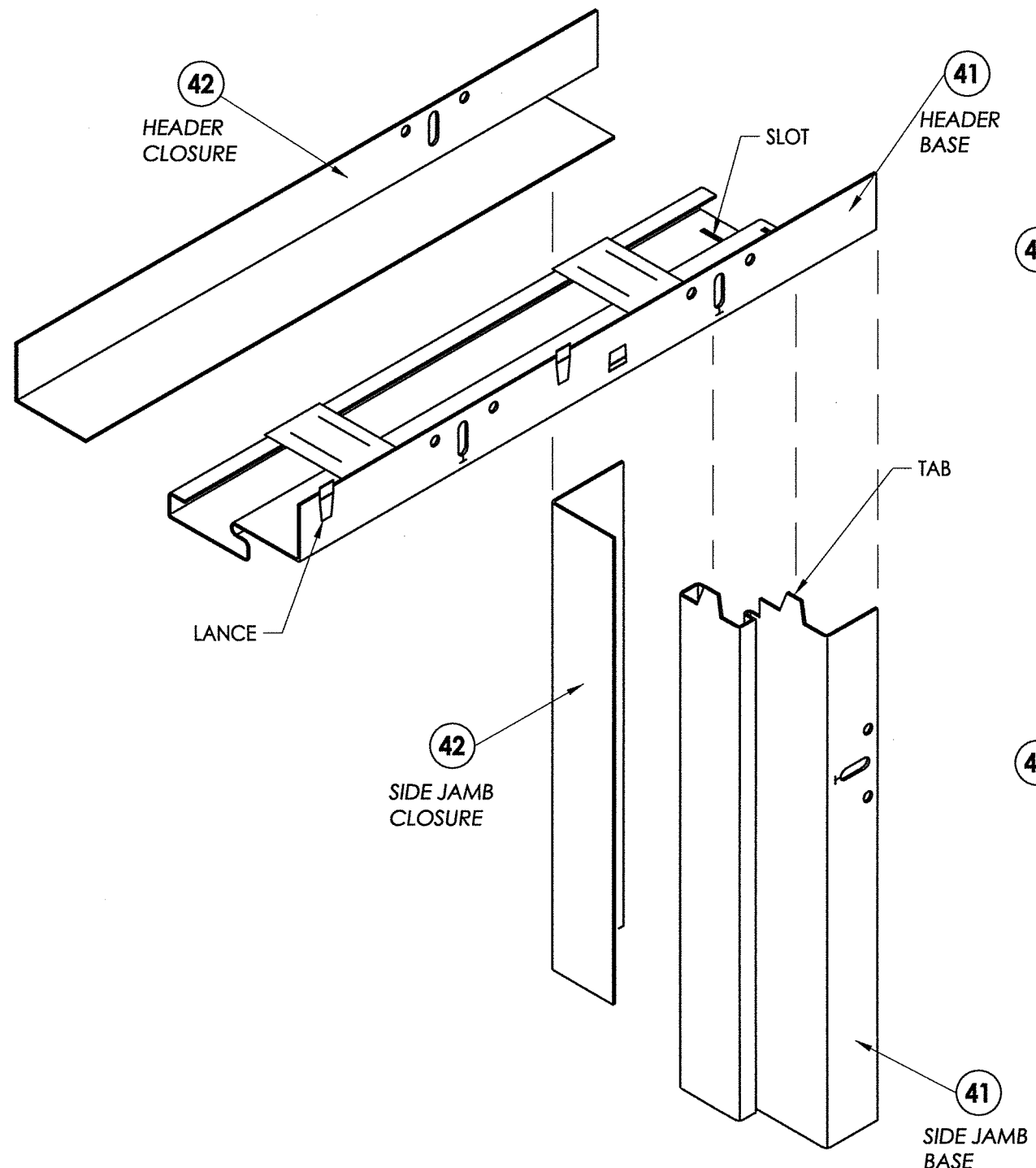
INSWING OR OUTSWING

OVERALL FRAME DIMENSION	DESIGN PRESSURE (PSF)	
	POSITIVE	NEGATIVE
39.50" X 82.0"	+ 50.0	- 50.0



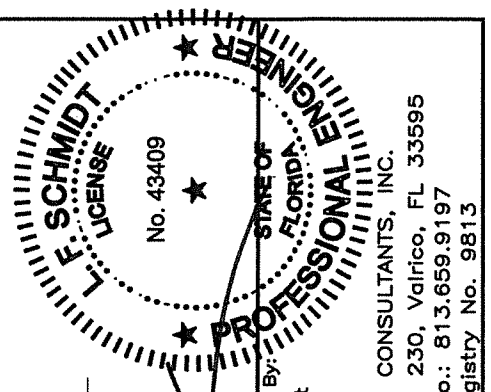
August 19, 2020
 Documents Prepared By:
 Lyndon F. Schmidt
 P.E. No. 43409
 R.W. BUILDING CONSULTANTS, INC.
 P.O. Box 230, Valrico, FL 33595
 Phone No.: 813.659.9197
 FBPE Registry No. 9813

PRODUCT:		DUNBARTON REDIFLEX TWO-PIECE STEEL FRAME	
PART OR ASSEMBLY:		TYPICAL ELEVATIONS, DESIGN PRESSURES & GENERAL NOTES	
DATE:	3/30/15	NO.	DATE
SCALE:	N.T.S.	2	8/11/20
DWG. BY:	JK	1	9/30/17
CHK. BY:	LFS		
DRAWING NO.:	FL-15341.10		
SHEET	1	OF	7



NOTES:

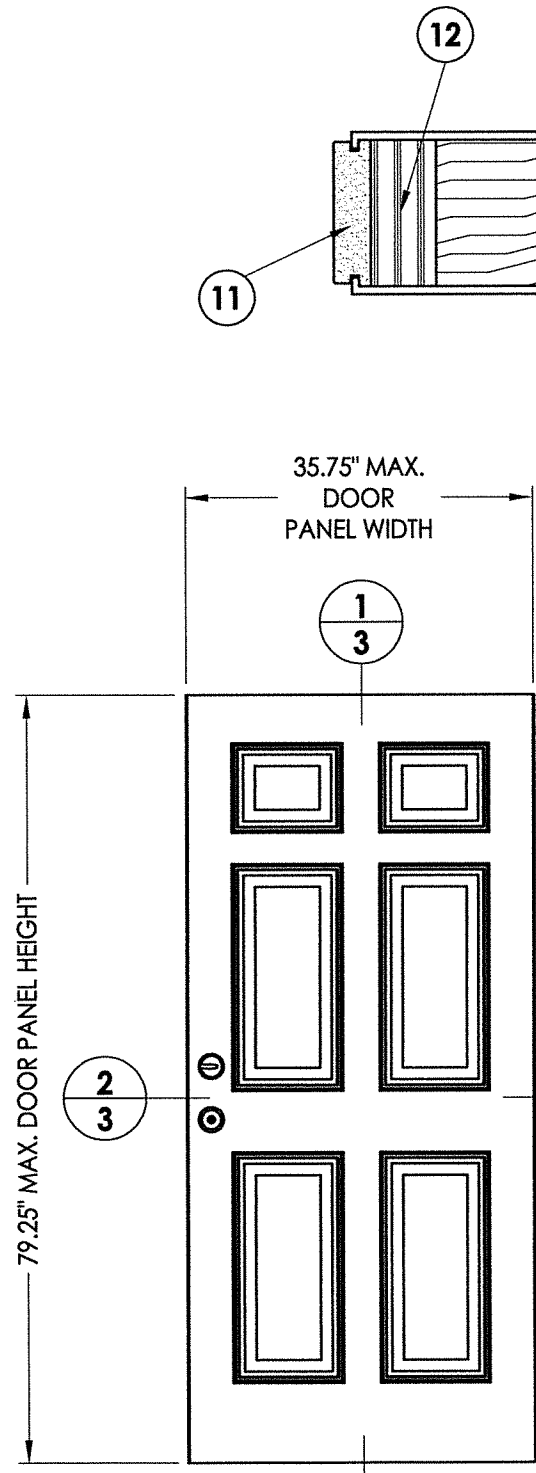
1. HEADER AND SIDE BASE JAMB (41) MINIMUM 20 GA. GALV. STEEL.
2. HEADER AND SIDE CLOSURE JAMB (42) MINIMUM 22 GA. GALV. STEEL.
3. FRAME SHOWN WITHOUT OPTIONAL STEEL TRIM CASING.
4. NON-KERF FRAME DO NOT MEET AIR AND WATER CRITERIA.



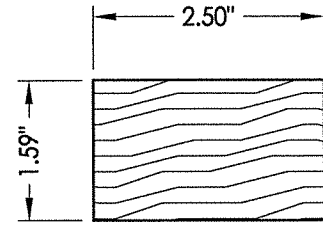
August 19, 2020
 Documents Prepared By:
 Lyndon F. Schmidt
 P.E. No. 43409

RW BUILDING CONSULTANTS, INC.
 P.O. Box 230, Valrico, FL 33595
 Phone No.: 813.659.9197
 FBPE Registry No. 9813

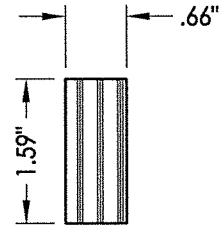
PRODUCT:		DUNBARTON REDIFLEX TWO-PIECE STEEL FRAME	
PART OR ASSEMBLY:		STEEL FRAME CROSS SECTIONS & DETAILS	
NO.	DATE	BY	REVISIONS
2	8/11/20	DAC	UPDATE TO 7TH ED. (2020) FBC
1	9/30/17	LFS	UPDATE TO 6TH ED. (2017) FBC
DATE			
DATE:		3/30/15	
SCALE:		N.T.S.	
DWG. BY:		JK	
CHK. BY:		LFS	
DRAWING NO.:		FL-15341.10	
SHEET		2 OF 7	



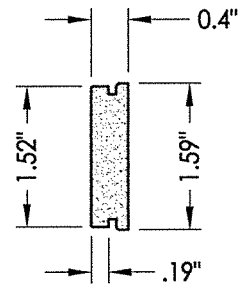
50 FIBERGLASS DOOR PANEL
By: Plastpro Inc.



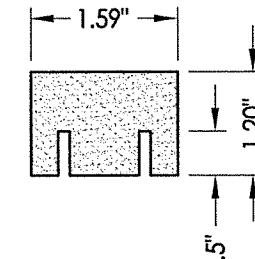
45 REINF. WOOD
For lock



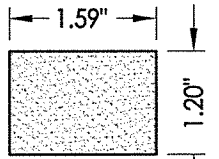
12 LATCH & HINGE STILE
LVL wood reinforcement



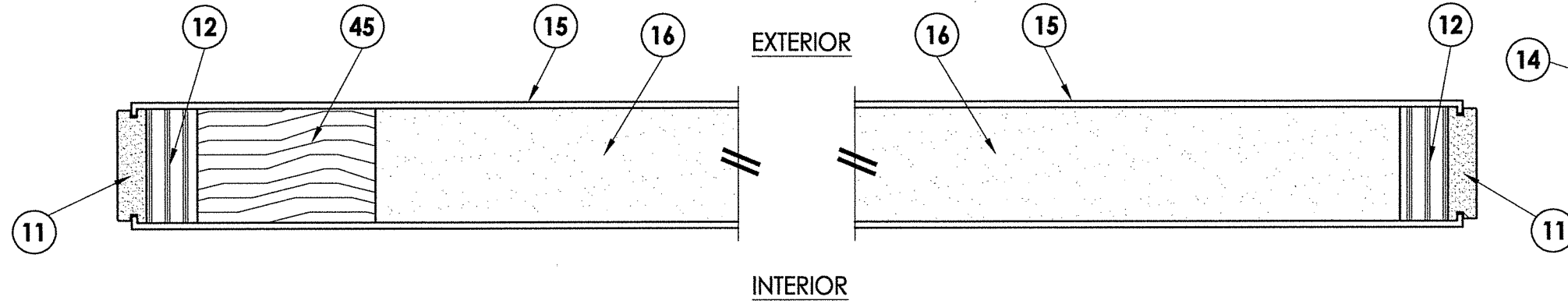
11 LATCH / HINGE STILE
Cellular pvc



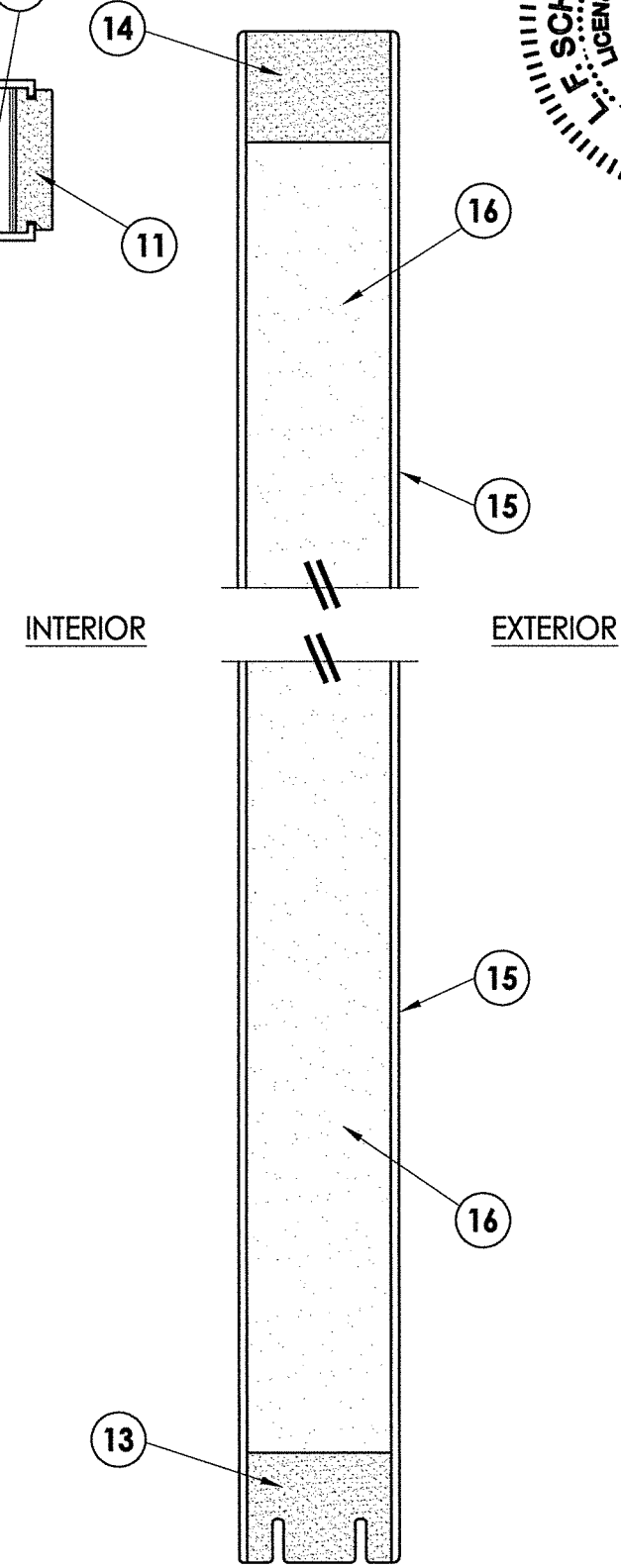
13 DOOR BOTTOM RAIL
Cellular pvc



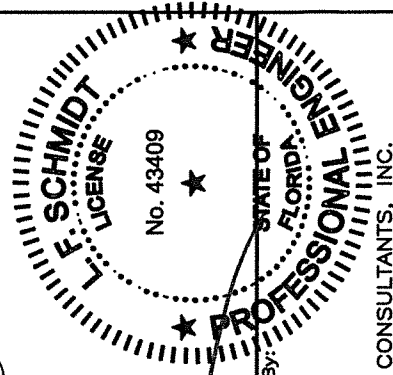
14 DOOR TOP RAIL
Cellular pvc



2 HORIZONTAL CROSS SECTION
3



1 VERTICAL CROSS SECTION
3

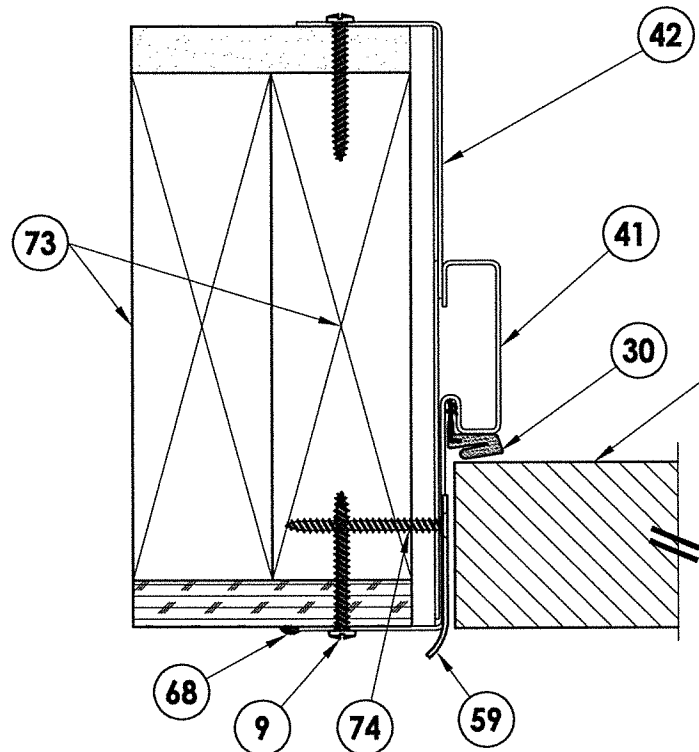


August 19, 2020
Documents Prepared By:
Lyndon F. Schmidt
P.E. No. 43409

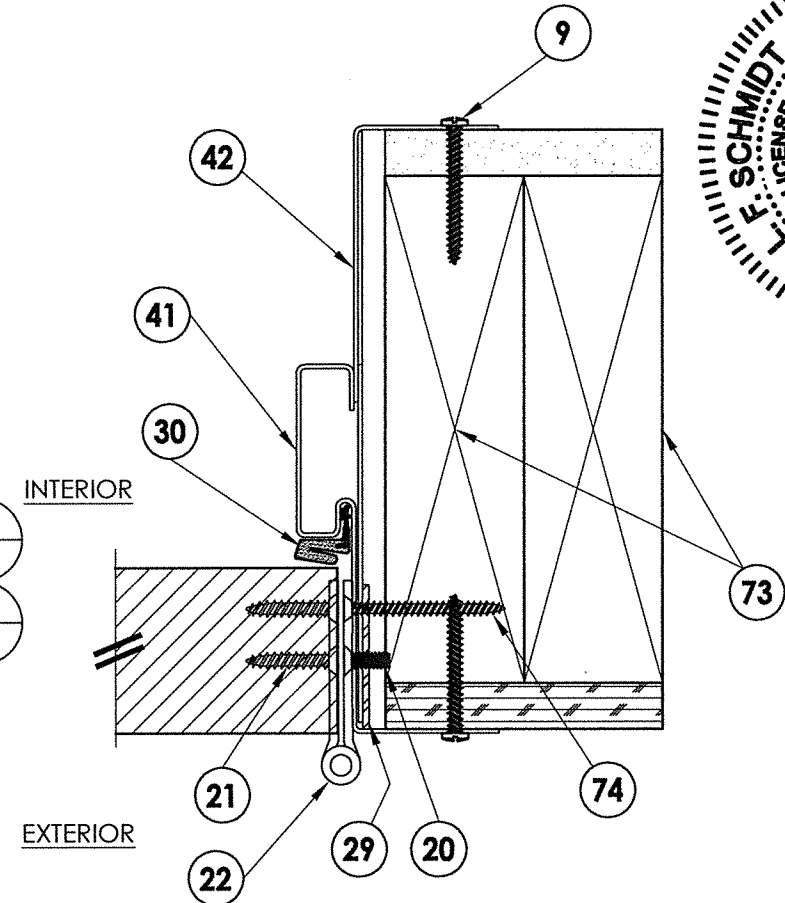
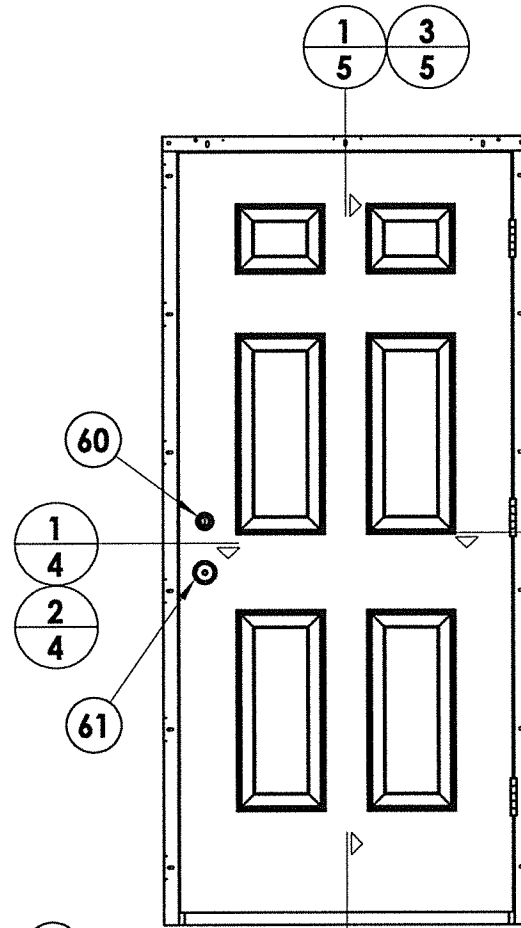
R.W. BUILDING CONSULTANTS, INC.
P.O. Box 230, Valrico, FL 33595
Phone No.: 813.659.9197
FBPE Registry No. 9813

PRODUCT:		DUNBARTON REDIFLEX	
		TWO-PIECE STEEL FRAME	
PART OR ASSEMBLY:		DOOR PANEL DETAILS	
NO.	DATE	BY	REVISIONS
2	8/11/20	DAC	UPDATE TO 7th ED. (2020) FBC
1	9/30/17	LFS	UPDATE TO 6TH ED. (2017) FBC

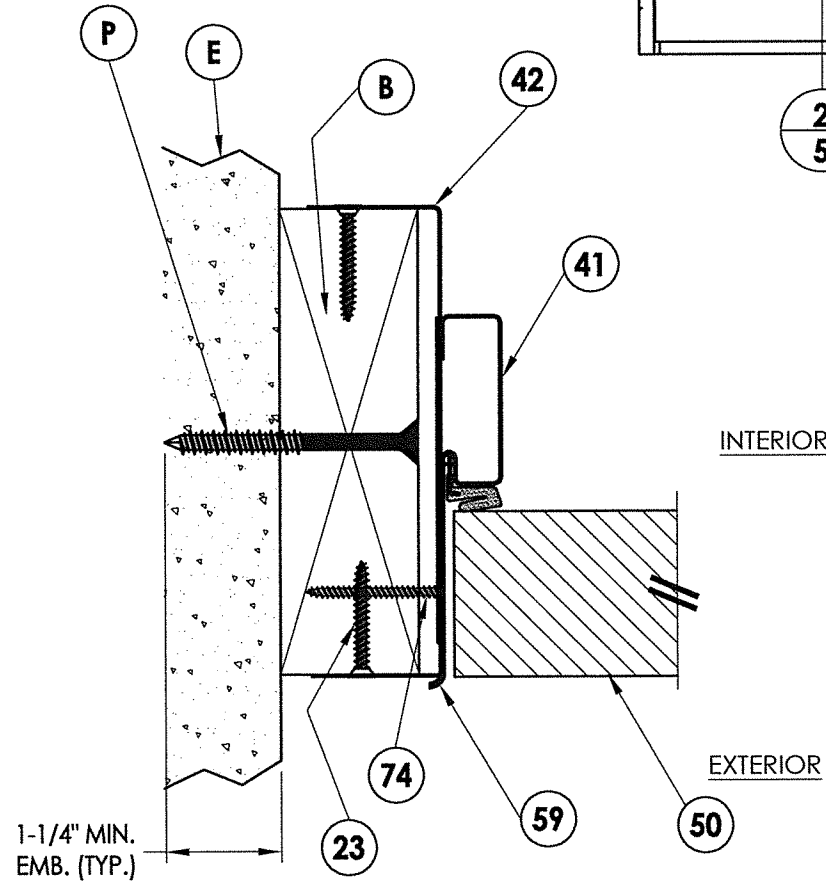
DATE:	3/30/15
SCALE:	N.T.S.
DWG. BY:	JK
CHK. BY:	LFS
DRAWING NO.:	FL-15341.10
SHEET	3 OF 7



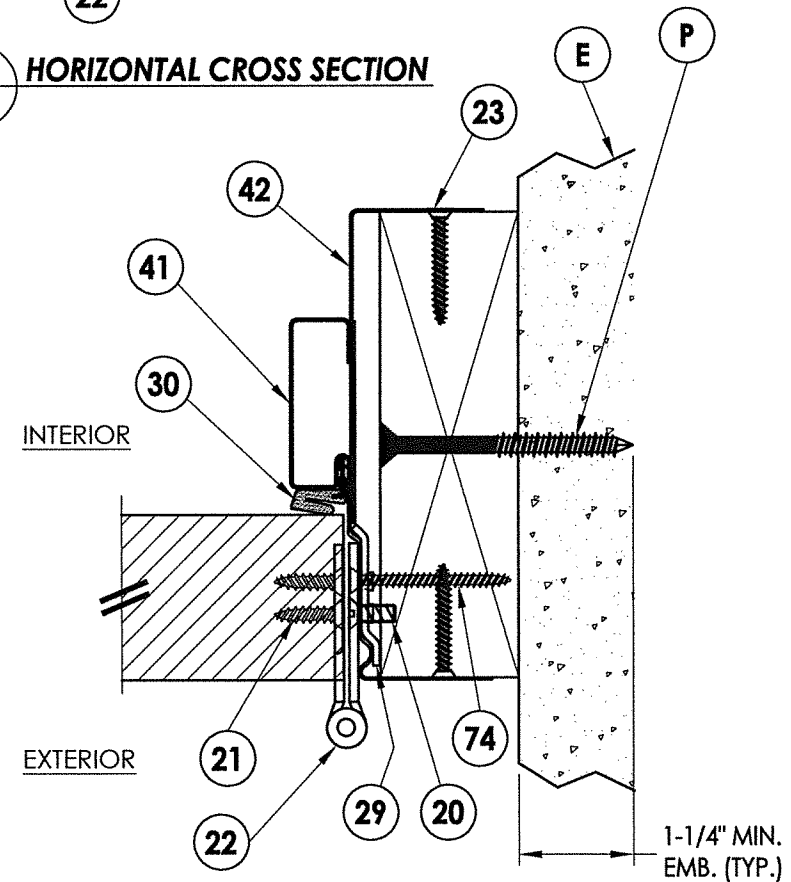
1/4 HORIZONTAL CROSS SECTION



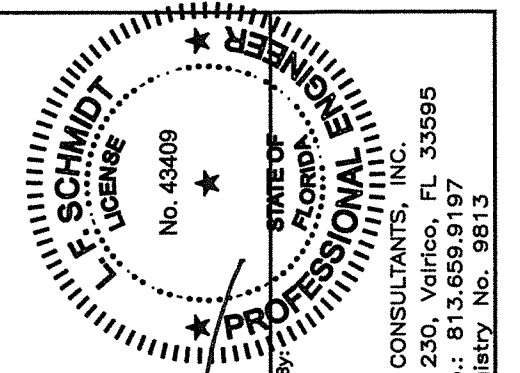
3/4 HORIZONTAL CROSS SECTION



2/4 HORIZONTAL CROSS SECTION
2X wood buck @ latch

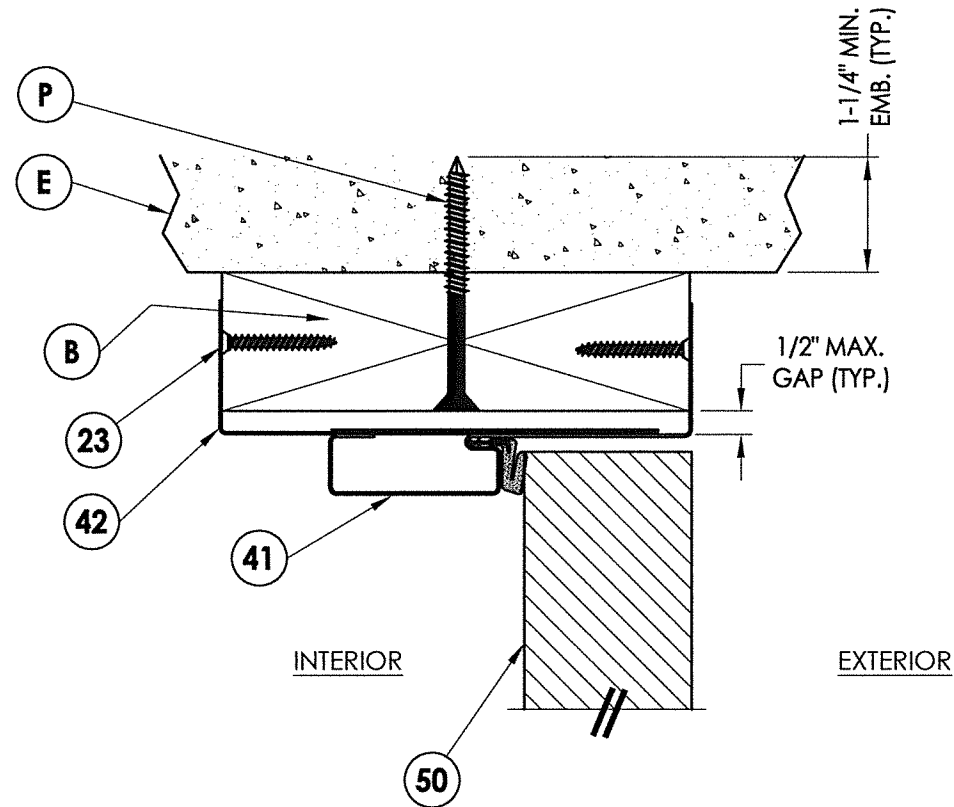


4/4 HORIZONTAL CROSS SECTION
2X wood buck @ hinge

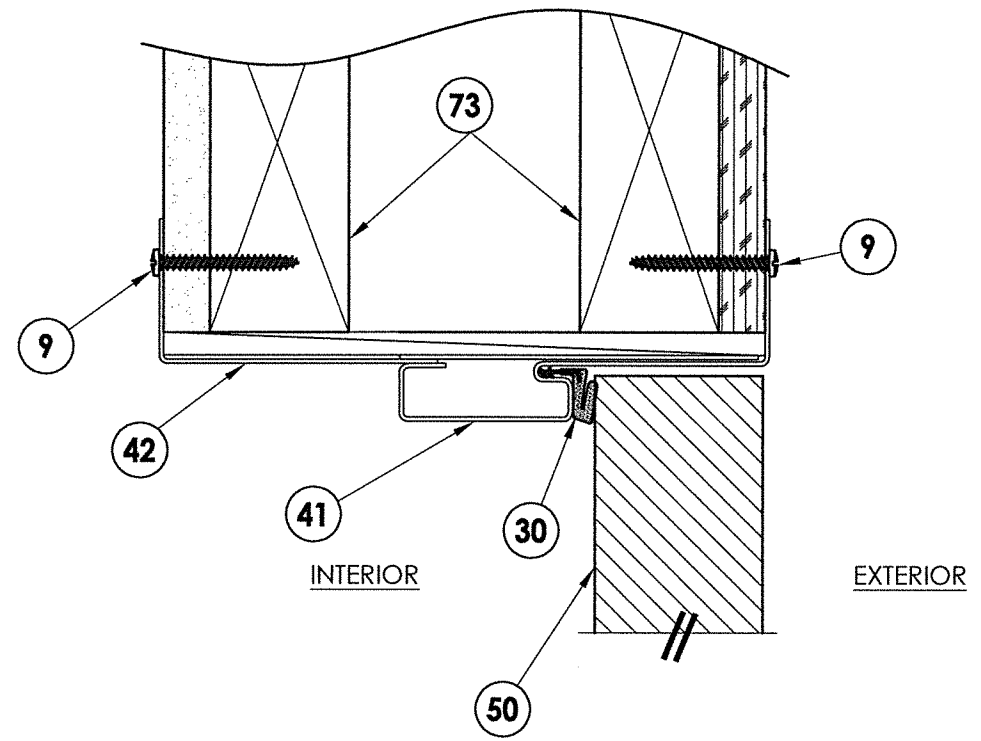


August 19, 2020
 Documents Prepared By:
 Lyndon F. Schmidt
 P.E. No. 43409
 R.W. BUILDING CONSULTANTS, INC.
 P.O. Box 230, Valrico, FL 33595
 Phone No.: 813.659.9197
 FBPE Registry No. 9813

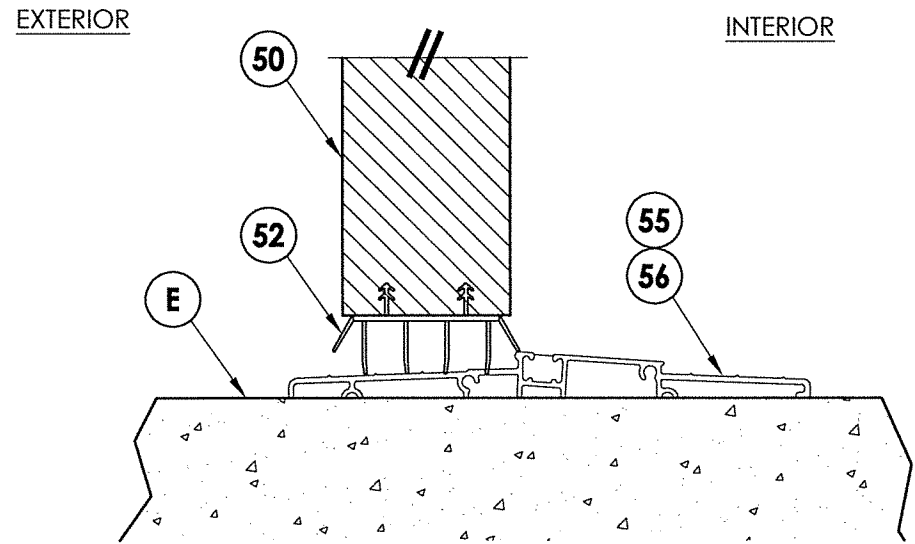
PRODUCT:		DUNBARTON REDIFLEX TWO-PIECE STEEL FRAME	
PART OR ASSEMBLY:		HORIZONTAL CROSS SECTIONS	
NO.	DATE	BY	REVISIONS
2	8/11/20	DAC	UPDATE TO 7TH ED. (2020)
1	9/30/17	FBC	UPDATE TO 6TH ED. (2017)
		LFS	
DATE:		3/30/15	
SCALE:		N.T.S.	
DWG. BY:		JK	
CHK. BY:		LFS	
DRAWING NO.:		FL-15341.10	
SHEET		4 OF 7	



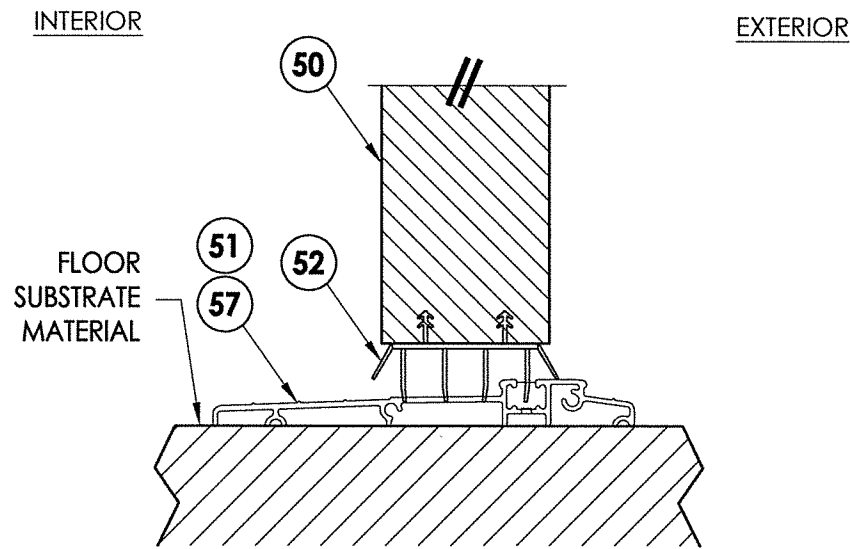
1 VERTICAL CROSS SECTION
5 Shown w/ wood buck



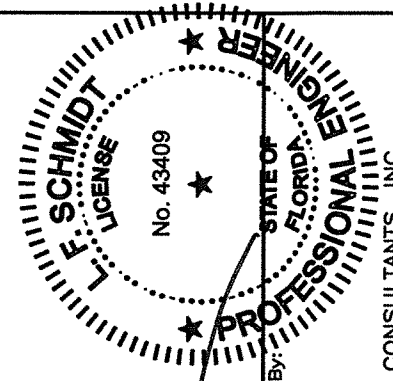
3 VERTICAL CROSS SECTION
5



2 VERTICAL CROSS SECTION
5



4 VERTICAL CROSS SECTION
5

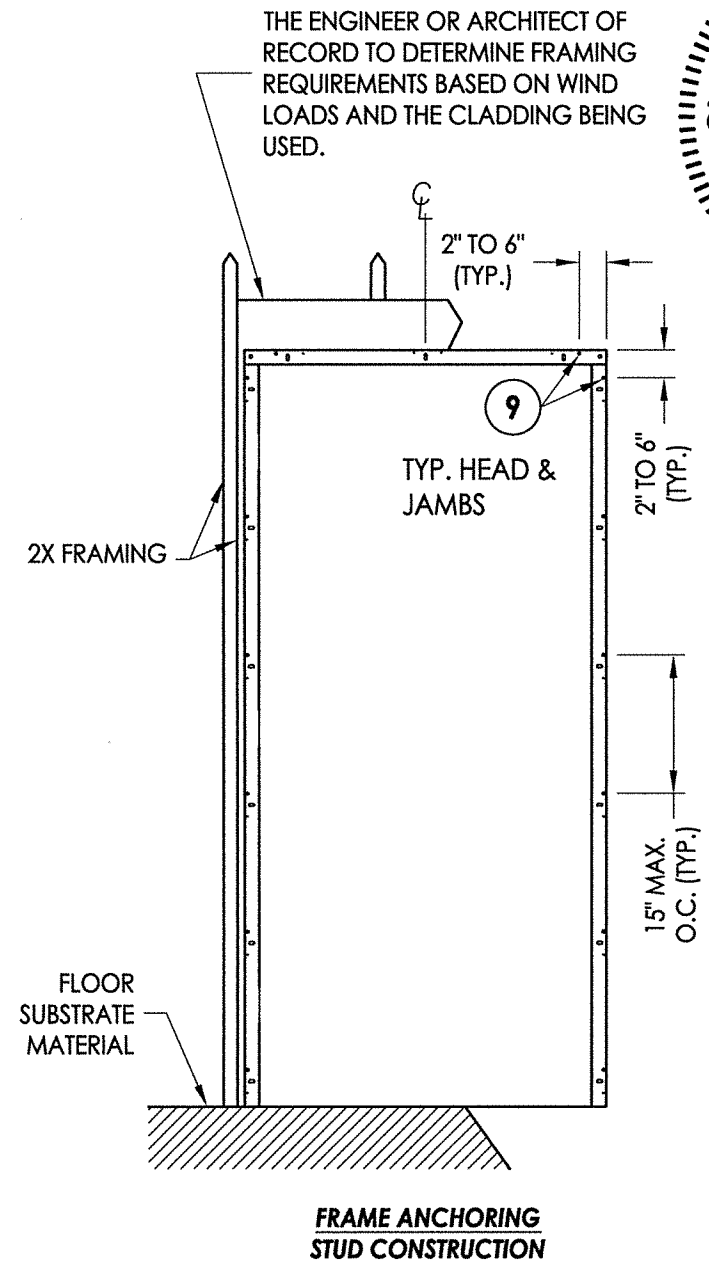
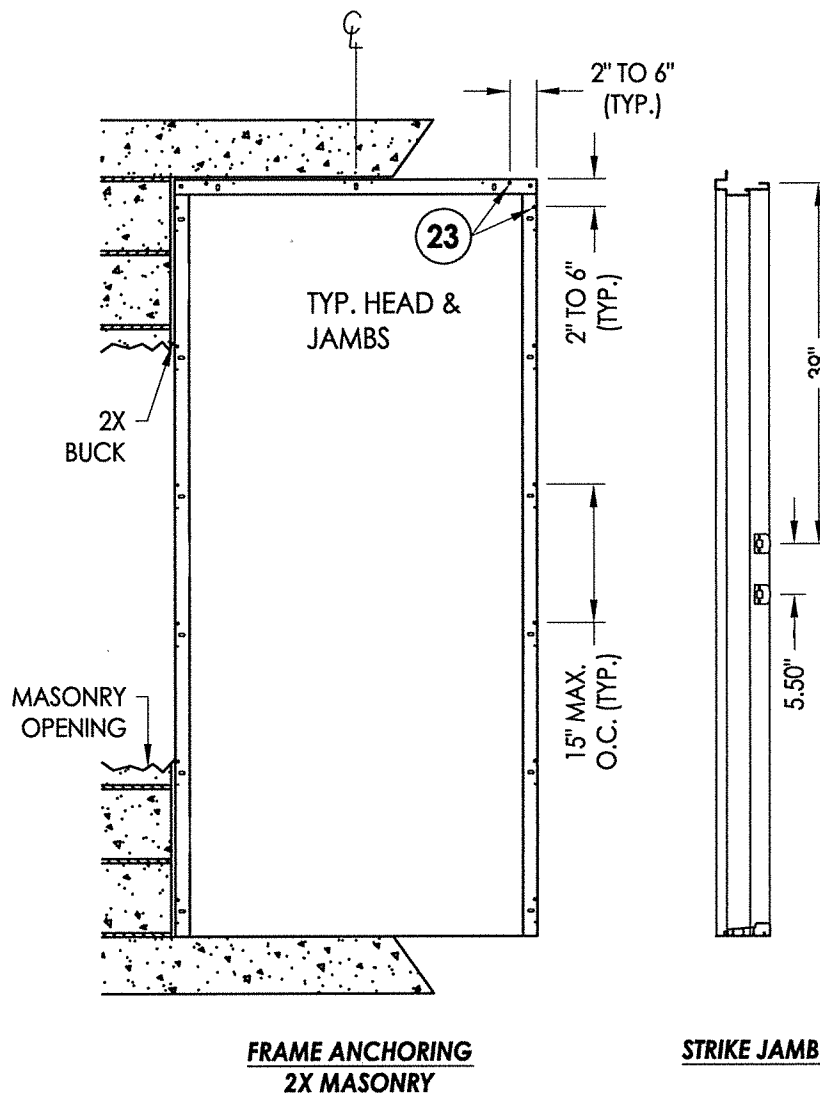
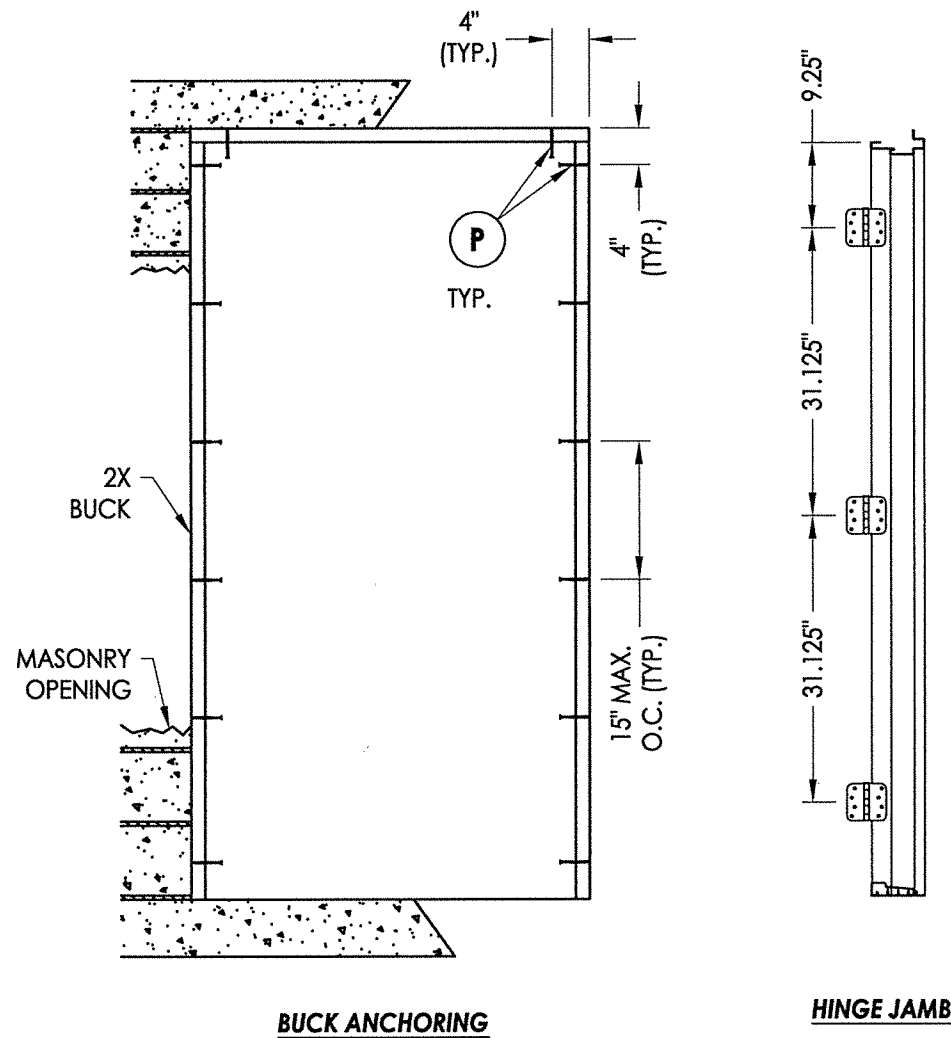


August 19, 2020
 Documents Prepared By:
 Lyndon F. Schmidt
 P.E. No. 43409
 R.W. BUILDING CONSULTANTS, INC.
 P.O. Box 230, Vairico, FL 33595
 Phone No.: 813.659.9197
 FBPE Registry No. 9813

PRODUCT:	DUNBARTON REDIFLEX TWO-PIECE STEEL FRAME
PART OR ASSEMBLY:	VERTICAL CROSS SECTIONS

NO.	DATE	REVISIONS
2	8/11/20	UPDATE TO 7TH ED. (2020) FBC DAC
1	9/30/17	UPDATE TO 6TH ED. (2017) FBC LFS
		BY

DATE:	3/30/15
SCALE:	N.T.S.
DWG. BY:	JK
CHK. BY:	LFS
DRAWING NO.:	FL-15341.10
SHEET	5 OF 7



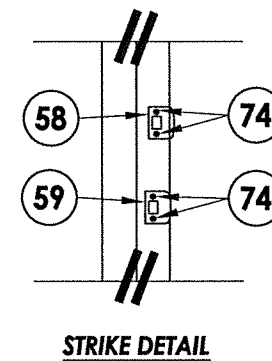
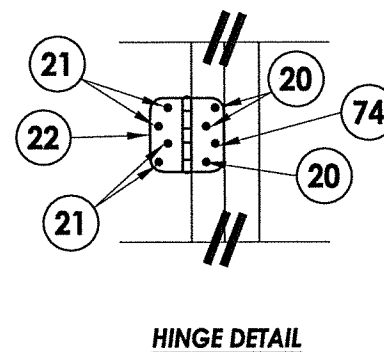
CONCRETE ANCHOR NOTES:

1. Concrete anchor locations at the corners may be adjusted to maintain the min. edge distance to mortar joints.
2. Concrete anchor locations noted as "MAX. ON CENTER" must be adjusted to maintain the min. edge distance to mortar joints, additional concrete anchors may be required to ensure the "MAX. ON CENTER" dimension are not exceeded.
3. Concrete anchor table:

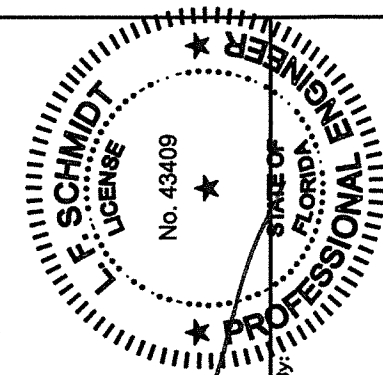
ANCHOR TYPE	ANCHOR SIZE	MIN. EMBEDMENT	MIN. CLEARANCE TO MASONRY EDGE	MIN. CLEARANCE TO ADJACENT ANCHOR
ITW TAPCON®	1/4"	1-1/4"	2"	4"
DeWALT ULTRACON®	1/4"	1-1/4"	1"	4"

WOOD SCREW INSTALLATION NOTES:

1. Maintain a minimum 5/8" edge distance, 1" end distance, & 1" o.c. spacing of wood screws to prevent the splitting of wood.



THE ENGINEER OR ARCHITECT OF RECORD TO DETERMINE FRAMING REQUIREMENTS BASED ON WIND LOADS AND THE CLADDING BEING USED.

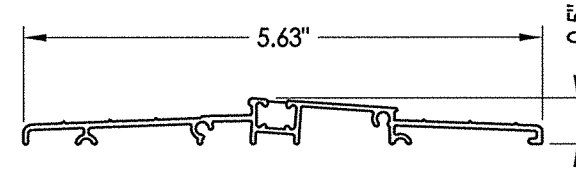


August 19, 2020
 Documents Prepared By:
 Lyndon F. Schmidt
 P.E. No. 43409

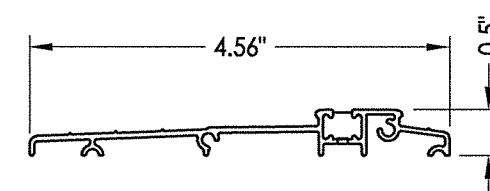
RW BUILDING CONSULTANTS, INC.
 P.O. Box 230, Valrico, FL 33595
 Phone No.: 813.659.9197
 FBPE Registry No. 9813

PRODUCT:	DUNBARTON REDIFLEX TWO-PIECE STEEL FRAME
PART OR ASSEMBLY:	BUCK & FRAME ANCHORING
DATE:	3/30/15
SCALE:	N.T.S.
DWG. BY:	JK
CHK. BY:	LFS
DRAWING NO.:	FL-15341.10
SHEET	6 OF 7

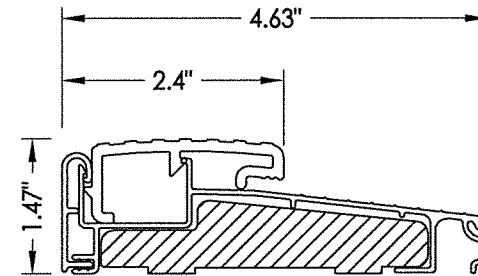
BILL OF MATERIALS		
ITEM	DESCRIPTION	MATERIAL
B	2X BUCK SG >= 0.55	WOOD
E	MASONRY - 3,000 PSI MIN. CONCRETE CONFORMING TO ACI 301 OR HOLLOW BLOCK CONFORMING TO ASTM C90 OR ASTM A653 STEEL	CONCRETE
P	1/4" X 2-3/4" DeWALT OR ITW PFH CONCRETE SCREW	STEEL
9	#8 X 1-1/2" PPH SMS (7/8" MIN. EMBEDMENT)	STEEL
11	HINGE & LATCH STILE	CELLULAR PVC
12	CONTINUOUS LATCH AND HINGE STILE REINFORCEMENT	LVL
13	BOTTOM RAIL	CELLULAR PVC
14	TOP RAIL	CELLULAR PVC
15	DOOR SKIN (MIN. 0.075" THICK) BY NAN YA	FIBERGLASS
16	POLYURETHANE FOAM BY NAN YA	POLYURETHANE
20	10-24 X 1/2" FLAT HEAD SCREW	STEEL
21	#9 X 1" PFH WOOD SCREW	STEEL
22	HINGE 4" X 4"	STEEL
23	#8 X 1" PH SMS (7/8" MIN. EMBEDMENT)	STEEL
29	JAMB HINGE REIN. 14 GA. 4" x 4" x 1.53" (.075" GALV. STEEL) BY DUNBARTON FR00505	STEEL
30	COMPRESSION WEATHERSTRIPPING QLON QDS 650 BY SCHLEGEL	FOAM
41	REDIFLEX JAMB BASE 18 GA. MIN. (.042" GALV. STEEL) BY DUNBARTON	STEEL
42	REDIFLEX JAMB CLOSURE 22 GA. MIN. (.026" GALV. STEEL) BY DUNBARTON	STEEL
45	REINFORCEMENT WOOD FOR LOCKS	WOOD
50	FIBERGLASS DOOR PANEL: BY PLASTPRO INC./ NAN YA PLASTICS CORP.	-
51	INSWING HIGH DAM THRESHOLD BY ENDURA ZAI4566	ALUMINUM
52	DOOR BOTTOM SWEEP	VINYL
55	OUTSWING BUMP THRESHOLD 4.563" x 1.446" BY ENDURA ZFOB4566F	ALUMINUM
56	OUTSWING ADA THRESHOLD BY ENDURA ZHCO5622	ALUMINUM
57	INSWING ADA THRESHOLD BY ENDURA ZHCI4562	ALUMINUM
58	STRIKE PLATE - DEADBOLT	STEEL
59	STRIKE PLATE - LATCHBOLT	STEEL
60	KWIKSET SERIES (660) DEADBOLT	STEEL
61	KWIKSET SERIES PASSAGE LOCK	STEEL
73	2X FRAMING (SG >= 0.42)	WOOD
74	#8 x 1-3/4" PFH SMS	STEEL



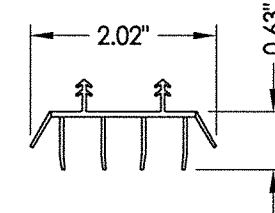
56 OUTSWING THRESHOLD



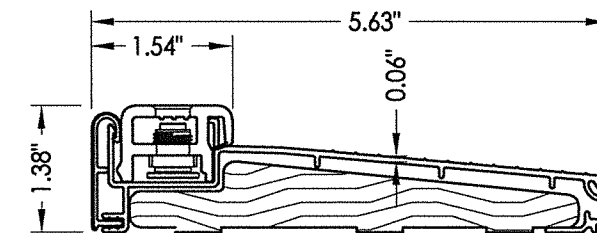
57 INSWING THRESHOLD



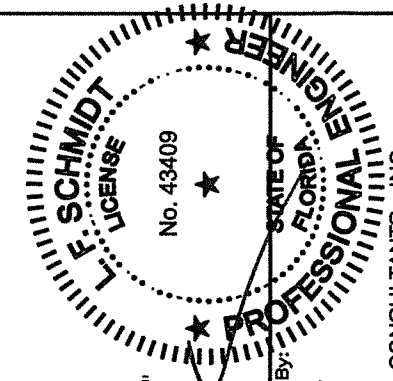
55 OUTSWING THRESHOLD



52 SWEEP



51 INSWING THRESHOLD



August 19, 2020
 Documents Prepared By:
 Lyndon F. Schmidt
 P.E. No. 43409

R.W. BUILDING CONSULTANTS, INC.
 P.O. Box 230, Valrico, FL 33595
 Phone No.: 813.659.9197
 FBPE Registry No. 9813

PRODUCT:
 DUNBARTON REDIFLEX
 TWO-PIECE STEEL FRAME

PART OR ASSEMBLY:
 BILL OF MATERIALS
 & COMPONENTS

NO	DATE	BY	REVISIONS
2	8/11/20	DAC	UPDATE TO 7th ED. (2020) FBC
1	9/30/17	LFS	UPDATE TO 6TH ED. (2017) FBC

DATE: 3/30/15
 SCALE: N.T.S.
 DWG. BY: JK
 CHK. BY: LFS
 DRAWING NO.: FL-15341.10
 SHEET 7 OF 7